

CHANNEL

Smarter Safety

meteor
LED



LED emergency luminaire
from Channel Safety Systems



LED Emergency Luminaire

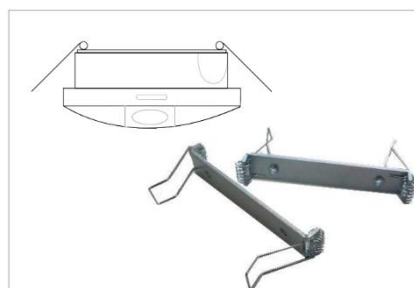
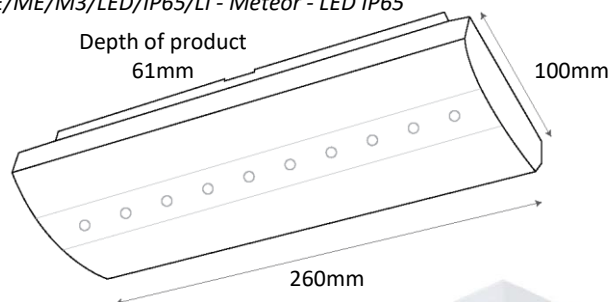
This discreet LED emergency bulkhead utilises the latest LED technology for low-cost, high power, emergency illumination.

Features

- 8W fluorescent equivalent with 66% less circuit watts - 3W
- Long life LED technology
- Maintained or non-maintained Operation
- Self-Test option to BS EN 62034
- Can be ceiling or wall mounted
- Cable entry: top, front, back & side
- Sleek & minimalistic design
- Optically enhanced diffuser
- Polycarbonate construction
- Lightweight & easy to install
- LiFePO4 battery
- Semi-recessing kit available
- Blade Exit Sign Option
- Low environmental impact & running costs
- Meets BS EN 60598-2-22 and other relevant standards
- IP65 utilising Everlight LEDs
- Fluorescent version available (see Meteor Fluorescent)
- Self-Test Option carries out automatic monthly & yearly tests



E/ME/M3/LED/IP65/LI - Meteor - LED IP65



The semi-recessing kit for the Meteor includes retaining spring clips that fit securely to the luminaire. This allows the Meteor LED to become a semi-recess fitting to the ceiling or wall.



(E/PIC/ME/LED/BLADE)

PHOTOMETRIC SPACING DATA (1 Lux)

Mounting Height				
2.5m	2.4	5.8	5.4	2.4
4m	1.0	4.9	5.2	1.0

SPECIFICATIONS

Light Source	10 x LED (total LED power - 2W)
IP Rating	IP65
Emergency Duration	3 hours (minimum)
Mains Voltage	230V 50Hz ± 10%
Mains Current	50mA (max) 35mA
Recharge Period	Less than 24 hours
Charge Indicator	Integral green LED
Changeover Voltage	As per the requirements of BS EN 60598-2-22
Temperature Range	5°C to 40°C
Weight	360g
Battery	LiFePO4 3.2V 1000mAh

PRODUCT CODE

DESCRIPTION

E/ME/M3/LED/IP65/LI	Meteor low profile LED bulkhead complete with 10 LED array, IP65 version
E/ME/M3/LED/IP65/ST/LI	Meteor low profile LED bulkhead self-test option
E/ME/LED/SRK	Meteor LED semi-recessing kit
E/PIC/ME/LED/PACK	Meteor LED pictogram pack - AD/AL/AR/AU
E/PIC/ME/LED/BLADE	E Meteor LED Blade

www.channelsafety.co.uk

Tel: 0845 884 7000

Email: sales@channelsafety.co.uk



Deta Electrical Company Ltd.

UK: Panattoni Park Luton Road Chalton Bedfordshire LU4 9TT UK
EU: Unit 16 Ashbourne Industrial Estate Ashbourne Co. Meath A84 W972
sales@deta.co.uk