

Single Relay Output Module with Built-in Isolator

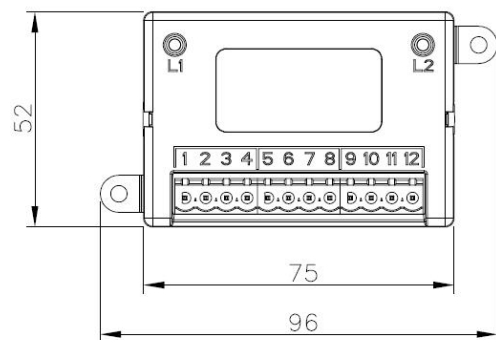
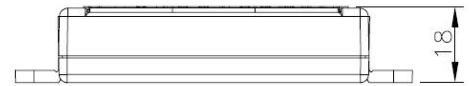
The single relay output module is loop-powered, designed around a fully digital protocol and provides form C changeover contacts for control of equipment for DDA compliance such as vibrating pillows. .

The output channel is a normally de-energised relay switched on by a command from the control panel.

The unit provides a fast and secure response, and incorporates a bidirectional short circuit isolator.

Connections are made using plug-in terminal blocks which will accept conductors up to 2.5mm².

The unit can be mounted within an electrical box or enclosure.



Features

- Short circuit isolators in each device to the requirements of EN54-17
- Auto addressing capability (by the control panel) or manually using a hand held programmer.
- Auto-addressing capability (by the control panel)
- Digital checking of double address
- Line quality information
- Bicolour (red/green) LED driven by the control panel

Standards and Approvals

- EN54-17:2005
- EN54-18:2005

Specification

Power supply	15-40 Vdc
Maximum current consumption	6 mA
Operating temperature range	-30°C to +70°C
Humidity (non condensing)	85% RH
Relay switching	2A / 30 Vdc
Dimensions H x W x D mm	52 x 75 x 28
Weight	180g
IP rating	21C

Order Codes and Options

20-VMMC120-ADV:	Single relay output module with built-in isolator
-----------------	---

[Check if this document is up to date](#) | [Give us feedback](#)

Advanced, The Bridges, Balliol Business Park, Newcastle upon Tyne, NE12 8EW, UK **T:** +44 (0)345 894 7000, **E:** enquiries@advancedco.com,
W: www.advancedco.com

As our policy is one of constant product improvement the right is therefore reserved to modify product specifications without prior notice.