

The Banshee Excel™ CH sounder represents the most modern, acoustically advanced and by far the most versatile conventional electronic sounder available on the market today.

The sounder comes with 32 user-selectable tones incorporating low frequencies, high frequencies, European, American and Australian norms and all industry-standard frequency patterns.

Tested and approved to EN 54 Part 3, the Banshee Excel™ CH sounder boasts leading acoustics, aesthetically pleasing design and low power consumption. The unit is designed for ease of installation and is complemented by a wide selection of accessories to suit all applications.

Banshee Excel™ CH is manufactured in flame retardant ABS and is available in three colours, making it suitable for a wide range of alarm and signalling applications. The sounder is fitted with a professional capsule driven horn and uses the push and twist bayonet fitting Banshee^{MT} base compatible with other products in the Banshee Excel™ range.



FEATURES

- 32 user-selectable tones - industry standard compatible
- Very low current consumption
- EN 54-3 tested and fully approved in accordance with CPR
- LPCB approved
- Uses same bases as Banshee^{MT} - simple push and twist bayonet mounting with locking screw
- Available in three colours - red, white or grey
- Easy to install with side and rear cable entry
- Robust 'two in two out' 2.5 mm² terminals
- Three selectable volume levels
- Rated to IP 66 or IP 45
- Extensive family of accessories for a wide range of applications
- Recyclable

SPECIFICATION

Operating Voltage (V dc):	9-30
Operating Voltage EN 54-3 (V dc):	24 (20 -28)
Tone Current Consumption (mA):	See Sound Output Table#
Sound Output (dBA Typ @1 m):	See Sound Output Table#
Tones Available:	See Sound Output Table#
Body Colours:	Red, White or Grey
Operating Temperature:	-25°C to +70°C
Volume Control:	High, Medium (-10 d B(A)) Low (-20 d B(A))
Environment Category / IP Rating:	Type A/IP 45 Std Base Type B/IP 66 Deep Base

The unit meets minimum requirements of IP 21C Shallow Base and IP 33C Deep Base in accordance with EN 54-3

APPROVALS



PART NUMBERS - SOUNDER

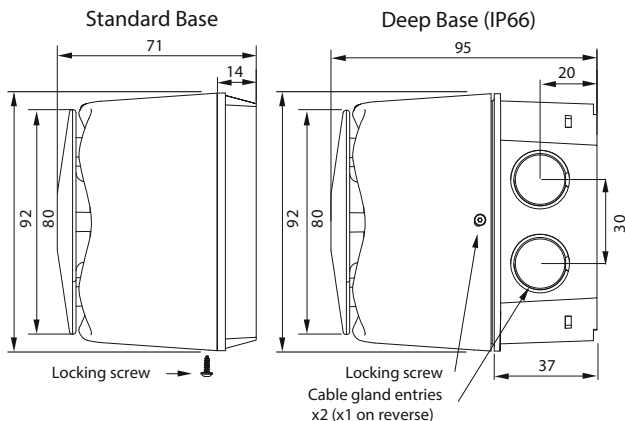
- 902CHA6A0: Banshee Excel CH - Red
- 902CHA4A0: Banshee Excel CH - White
- 902CHA5A0: Banshee Excel CH - Grey
- 903CHA6A0: Banshee Excel CH - Red, Deep Base IP 66
- 903CHA4A0: Banshee Excel CH - White, Deep Base IP 66
- 903CHA5A0: Banshee Excel CH - Grey, Deep Base IP 66

PART NUMBERS - SPARES & ACCESSORIES

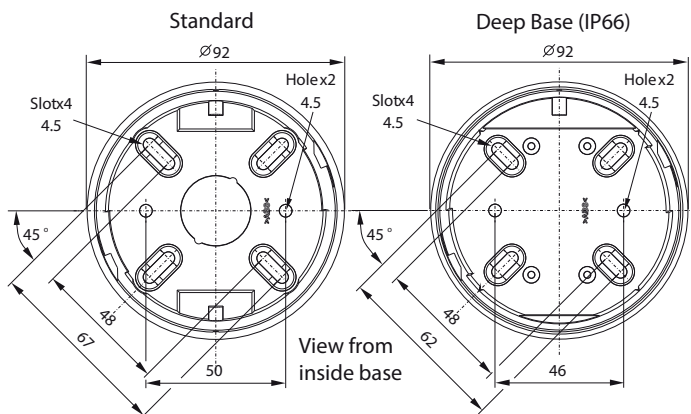
- 8502700: Mains Pack - 110 V ac/230 V ac input 24 V dc output
- 8502900: Flush Mounting Ring - for Banshee Excel, Excel Lite
- 8503100: External Fixing Clip for Deep Base
- (avoids drilling through base thus retaining IP 66 rating)
- BA87331/P: Deep Base - White, complete with 'O' Ring
- BA87341/P: Deep Base - Red, complete with 'O' Ring
- BA87351/P: Deep Base - Grey, complete with 'O' Ring

INSTALLATION

BANSHEE EXCEL CH SOUNDER



BANSHEE EXCEL COMMON BASE



Sound Output Table

No.	Sound Frequencies and Patterns	code 12345	Description	EN54-3 28Vdc see notes	Typ SPL@1m on axis		Typ Current mA	
					12V	24V	12V	24V
1	800Hz to 950Hz swept at 120Hz	00000	Banshee Buzz LF	-	94	100	6	12
2	800Hz to 950Hz swept at 9Hz	10000	Banshee Fast Sweep LF	3	94	100	6	12
3	800Hz to 950Hz swept at 3Hz	01000	Banshee Slow Sweep LF	-	94	100	6	12
4	Continuous at 900Hz	11000	Banshee Continuous LF	-	94	100	6	12
5	830Hz to 970Hz swept at 9Hz	00100	Banshee Fast Sweep LF (New)	-	93	100	6	12
6	800Hz to 970Hz swept at 1Hz	10100	Medium Sweep LF	3	94	100	6	12
7	Continuous at 950Hz	01100	Continuous LF	-	94	99	6	13
8	Intermittent at 950Hz 1s on, 1s off	11100	Backup Alarm LF	-	93	99	7	14
9	Alternating 800Hz/1000Hz at 1Hz	00010	Alternate LF	-	94	100	6	13
10	800Hz/1000Hz swept at 0.5s	10010	Medium Sweep LF	-	94	100	6	12
11	Alternating tones 800/950Hz at 3Hz	01010	Alternate LF	-	94	101	6	12
12	2400Hz to 2900Hz at 120Hz	11010	Banshee buzz HF	-	102	109	16	35
13	2400Hz to 2900Hz at 9Hz	00110	Banshee Fast Sweep HF	-	103	110	17	35
14	2400Hz to 2900Hz at 3Hz	10110	Banshee Slow Sweep HF	-	103	110	17	35
15	Continuous 2900Hz	01110	Banshee Continuous HF	-	103	109	19	39
16	2450Hz to 3100Hz swept at 9Hz	11110	Banshee Fast Sweep HF (New)	-	103	109	18	36
17	Intermittent at 2900Hz 1sec on, 1sec off	00001	Backup Alarm HF	-	103	109	18	36
18	Alternating tones 2400/2900Hz at 3Hz	10001	Alternate HF	-	104	110	16	36
19	500Hz rising to 1200Hz over 3.5 sec, silence 0.5sec,	01001	Slow Whoop	3	95	101	6	12
20	1200Hz falling to 500Hz over 1sec, silence 10mS	11001	Din Tone (DK)	3	93	100	5	10
21	554Hz for 100ms and 440Hz for 400mS	00101	French Fire Sounder	3	90	96	4	7
22	420Hz repeating 0.625 sec on, 0.625 sec off	10101	Australian Alert Signal	-	89	94	3	6
23	500Hz to 1200Hz sweeping 3.75 secs on, 0.25 secs off	01101	Australian Evacuation Signal	-	95	101	6	12
24	950Hz for 0.5s on 0.5s off, for 3 phases, silence for 1.5s	11101	US Temporal Tone LF	-	93	99	5	10
25	2900Hz for 0.5s on 0.5s off, for 3 phases, silence for 1.5s	00011	US Temporal Tone HF	-	103	109	13	26
26	Intermittent 660Hz 150mS on, 150mS off	10011	Swedish Tone (Fire)	-	90	96	3	6
27	Continuous 660Hz	01011	Swedish Tone (All Clear)	-	91	97	5	9
28	Intermittent 970Hz 500mS on, 500mS off	11011	ISO8201 LF	-	90	96	5	10
29	Intermittent 2900Hz 500mS on, 500mS off	00111	ISO8201 HF	-	103	109	13	27
30	Yodel 800Hz/1000Hz, 0.25 sec	10111	BT Banshee (FP1063.1)	-	94	100	6	12
31	Continuous 1000Hz	01111	BT Banshee (FP1063.1)	-	88	94	6	14
32	Bell Tone	11111	Bell Tone	-	94	99	12	25

- Volume control providing up to 20dB attenuation. All frequencies are nominal.
- Column EN54-3 shows tones approved under the Construction Product Directive.
- Polar diagram information is available in the technical manual, available on request.

DS3700094/ISS7

We reserve the right to change or amend any design or specification in line with our policy of continuing development and improvement.

Vimpex LTD

Star Lane, Great Wakering,
Essex SS3 0PJ, UK
t. +44 (0) 1702 216999
e. sales@vimpex.co.uk
www.vimpex.co.uk

Vimpex Interguard AB

t. +46 (0) 36 37 10 65
e. sales@vimpex.se



Quality System Certificate No. 456
Assessed to ISO 9001